

A part of PIERR AUTOMATIK AB



GSM-START

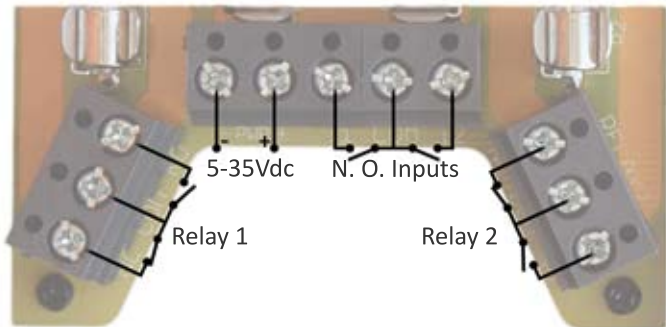
LINKING MAN AND MACHINE



GSMS-SW22 QUICKSTART GUIDE

To use the unit a SIM-card is required.

1. Make sure the SIM-card has balance and that the PIN-lock is disabled.
2. Install the SIM-card first then connect the unit and power on.



3. Wait (about 1 min) for the “SIG” led to start flashing every fourth second.
4. Send an SMS to the unit containing “SW0000CHECK”, wait for a reply.
5. Grab the app from Appstore or Google play for all commands.



GSMS Remote Control
Utilities

GET

The complete manual can be found here: www.gsm-start.com/sw22en